

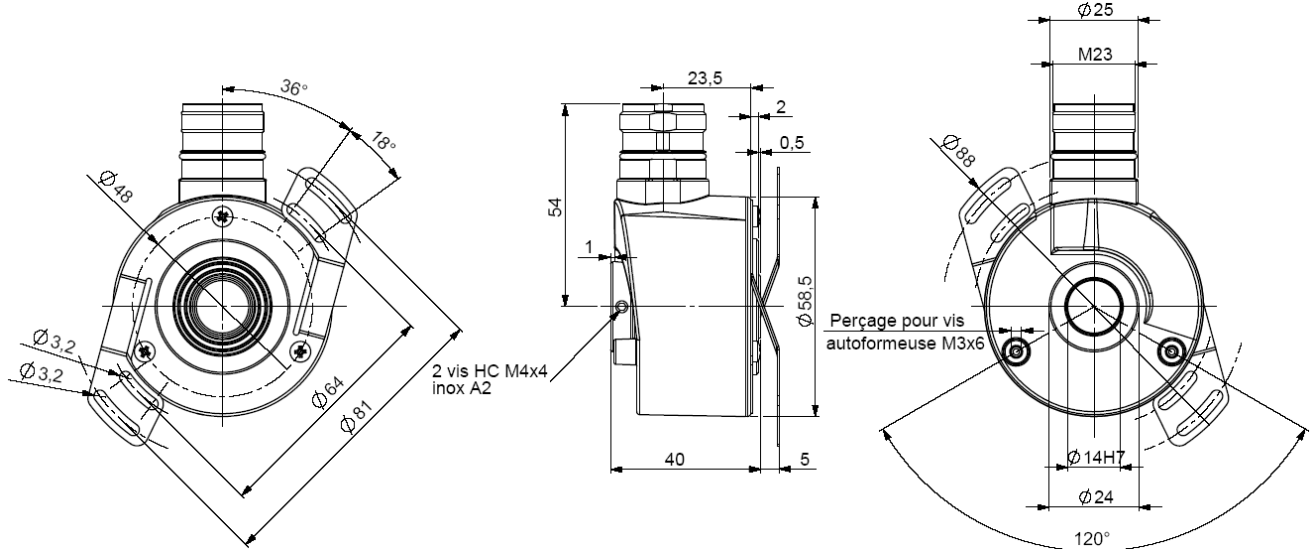
**PRELIMINARY - SSI ABSOLUTE SINGLE TURN ENCODERS, CHO5 RANGE, POSI+™** 

**POSI+™**, the new generation of parallel absolute single turn encoders :

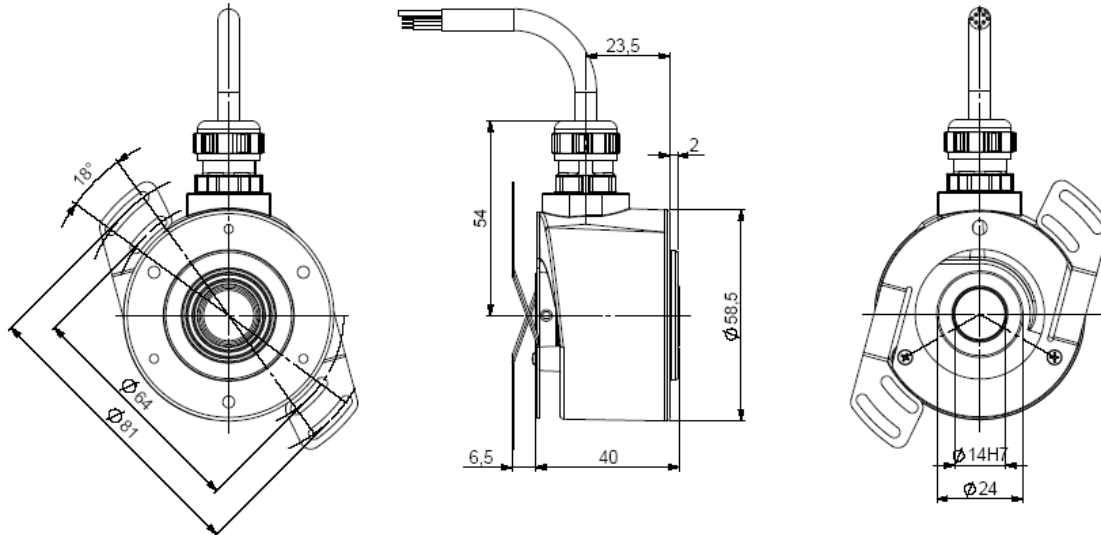
- Robustness and excellent resistance to shocks / vibrations
- High protection level IP65
- High resolutions, up to 20 bits (Gray or binary)
- Universal power supply from 5 to 30 Vdc
- High performances in temperature -20°C to 90°C (option -40°C to 100°C)
- Standard DIRECTION entry, RESET option
- Numeric or sine incremental outputs option



**CHO5\_14 connection C6R (radial M23), with DAC 9445/015 mounted on the body**



**CHO5\_14 connection C7R (radial cable), with DAC 9445/015 mounted on the cover**



Material	Cover : zinc alloy	Shock (EN60068-2-27)	≤ 500 m.s <sup>-2</sup> (durant 6 ms)
	Body: aluminium	Vibration (EN60068-2-6)	≤ 100 m.s <sup>-2</sup> (10 ... 2 000 Hz)
	Shaft : stainless steel	EMC	EN 61000-6-4, EN 61000-6-2
Bearings	6 803 serie	Isolation	1 000 Veff
Maximal load	Axial : 20 N	Weight (connector)	0,270 kg
	Radial : 50 N	Operating temperature	- 20 ... 90°C (encoder T°)
Shaft inertia moment	≤ 2,2.10 <sup>-6</sup> kg.m <sup>2</sup>	Storage temperature	- 40... + 100°C
Torque	≤ 6.10 <sup>-3</sup> N.m	Protection (EN 60529)	IP 65
Permissible max. speed	9 000 min <sup>-1</sup>	Torque (ring pressure screw)	nominal: 1.5N.m, break: 2.0N.m
Continuous max. speed	6 000 min <sup>-1</sup>	Theoretical mechanical lifetime 10 <sup>9</sup> turns (F <sub>axial</sub> / F <sub>radial</sub> )	
Shaft seal	Viton	10 N / 25 N : 230	10 N / 25 N : 230

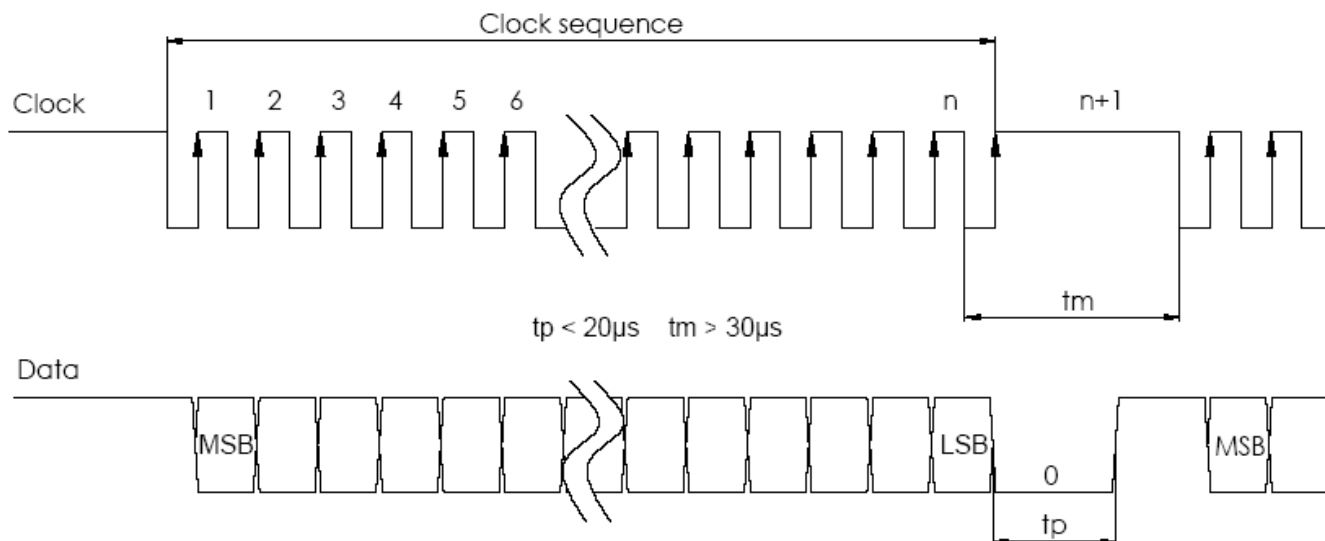
## PRELIMINARY - SSI ABSOLUTE SINGLE TURN ENCODERS, CHO5 RANGE, POSI+™ CE

### ELECTRICAL CHARACTERISTIC

Input signal clock CLK	per opto-coupleur	Power supply	5 – 30Vdc
Output signal DATA	line - driver RS422	Introduction	< 1 s
Clock frequency CLK	100kHz – 1MHz (13 bits encoders*)	Consumption without load	100mA max

\* consult us for other resolution

### SSI TRANSMISSION ( n = 13 bits without parity )



Transmission	Transmission up to 400m at 100kHz in function of the cable characteristics
Cable	High security of transmission by using shielded cable and twisted pairs

### SSI STANDARD CONNECTION

Type	Vcc	0V	Clk+	Data+	Data-	Clk-	DIRECTION
C6	1	2	3	4	6	7	9
C7	BN - Brown	WH - White	GN - Green	GY - Grey	PK - Pink	YE - Yellow	RD - Red
C8	8	1	3	2	10	11	5

Direction

- increasing CW : DIRECTION to 0V
- increasing CCW : DIRECTION to +Vcc

### ORDERING REFERENCE (Contact the factory for special versions, ex: special flanges, connections, electronics...)

	Shaft Ø	Supply	Output stage	Code	Resolution	Connection	Orientation
CHO5	14 : 14mm  Reduction hubs available	P : 5 to 30Vdc	CS : SSI without parity	B : Binary  G : Gray	Max: 20 bits, power of 2  13 : 13 bits to 19 : 19 bits  20 bits: consult us	C6 : M23 12pins CW for SSI transmission	R : radial  Example : R020 : radial cable of 2m
			CP : SSI even parity CI : SSI odd parity			C8 : M23 12pins CW for SSI transmission  C7 : SSI cable, cable gland output	
CHO5 _	14 //	P	CS	G //	13 //	C7	R050

### Monitoring function available in option :

- of the code coherence
- of the LED internal regulated current loop
- of temperature range with 2 limits

### Entry / output available in option:

- RESET entry
- ERROR output for monitoring functions
- Sine & Cosine outputs without index, 2048ppr (option : 4096 ppr)
- A & B incremental outputs without index, 2048ppr (option : 4096 ppr)

Consult us